

# Viva - freestanding screens technical specification



.mdd

**.mdd has a leading position among manufacturers of office furniture with many awards that prove quality and continuously increase demand for its products.**

The realities of today's market require constant quality improvement at all levels of modern organization. This applies in particular to customer service, marketing, quality of products and also to quality of processes within the company. Partnership relations among employees and with business partners form a base of economic growth and success of the company.

Constant investments in innovative machinery park, optimization of management systems and an expansion of production halls allow to minimize the lead times for the product of the highest quality.

**More than twenty years of experience in office furniture industry come with reference from a long list of companies and institutions to show their appreciation for an efficient and comprehensive service.**

**.mdd is highly aware of the environment.**

Being located in the forest region with lake by its side, .mdd takes the nature seriously and invests constantly in a modern and energy-efficient solutions to preserve the local life. Company puts emphasis on waste segregation and recycling. .mdd has been awarded for the exceptional care and involvement in waste disposal. All materials used are environmentally friendly and enjoy a high 95 % rate of being recycled.



**General informations:**

**Warranty:**

.mdd products - **5 years**.  
Electrical components and fabric - **2 years**.

**Certificate - fabric:**



**Certificate - MFC:**



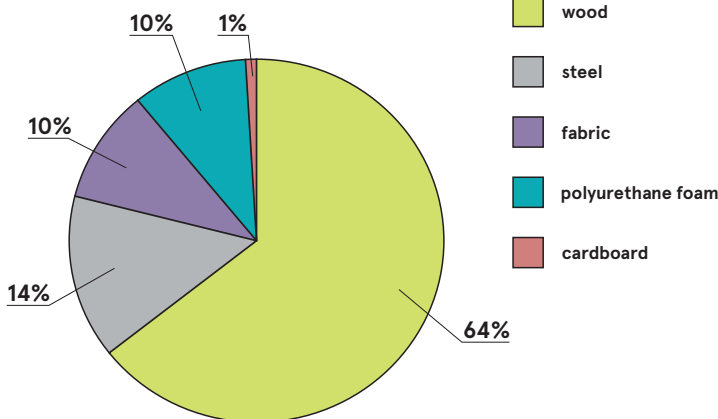
**Assembly:**

product delivered in separate elements

**Packing:**

cardboard, packing film

**Material composition \*:**



\* according to the EPD document

**Recyclability \*\***

Recycling: 0% - Downcycling: 100%

**Recycled content**

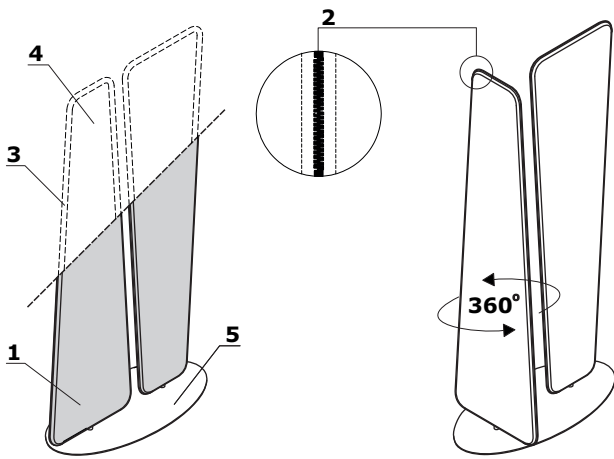
18%

**Co2 carbon footprint**

7,7 kg

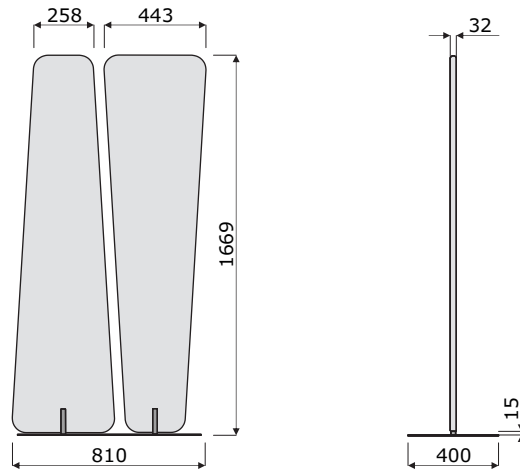
\*\* average values for a representative of the group; values may vary for other products

Viva - freestanding screens



- 1. **Screen** - upholstered, Sonic technology structure with A-class acoustics certificate, pinnable
- 2. **Zipper** - decorative, colour: graphite - cannot be unzipped
- 3. **Frame** - steel pipe
- 4. **Filling** - acoustic nonwoven with high sound absorption and dispersion properties
- 5. **Foot** - powder coated metal
- 6. **Rotation 360°** - each panel rotates independently

Dimensions



Viva - freestanding screens \*

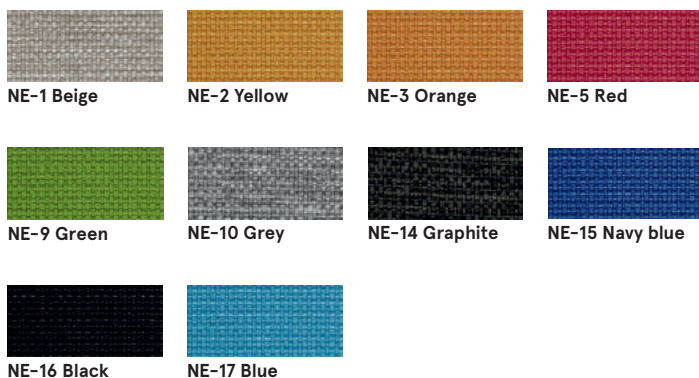


**VV02**  
850 / 400 / 1670  
21.3 kg

\* dimensions expressed in millimeters: width x depth x height

<b>Viva - freestanding screens</b>	Date of preparation 23.11.2022	The data contained in this document is valid in the day of its preparation. Change of the product, as long as it does not affect the basic features of it, does not require consistent updates of the document.	page 5/11
			<b>products</b>

### Fabric Nemo



**Technical data:**

**Material** polyester 100%

**Fabric weight** 366g/m2

**Abrasion resistance rubs** PN\_EN ISO 12947 - 2:2 100,000

**Pilling resistance** scale 1-8, max. 8, PN-EN ISO 105 - B02 (3-4)

**Colour fastness to light** scale 1-5, max. 5, PN-EN 1021 - 2,

**Colour fastness to rubbing** PN-EN 1021 - 1  
skcale 1-5, max. 5, EN ISO 105x12 (wet/dry) 4-5

### Fabric Runner - second price group



**Technical data:**

**Material** 80% polyester, 20% post-consumer recycled polyester

**Fabric weight** 510 g/lm (16.45 oz/lin.yd.)

**Abrasion resistance rubs** BS EN ISO 12947-2  
70,000 Martindale cycles

**Pilling resistance** scale 1-5, max 5, EN ISO 12945-2 (4-5)

**Colour fastness to light** scale 1-8, max 8, EN ISO 105-B02 (5-7)

**Colour fastness to rubbing** scale 1-5, max 5, EN ISO 105x12 (wet/dry) 4-5

**Acoustic test sound absorption** ISO 354

**Flammability** BS EN 1021-2 Match,  
CA TB 117-2013, BS EN 1021-1 (cigarette) Class Uno UNI 9175 Class 2, EMME

### Fabric Medley - second price group



**Technical data:**

**Material** polyester 100%

**Fabric weight** 510 g/lm (16.45 oz/lin.yd.)

**Abrasion resistance rubs** BS EN ISO 12947-2, 75,000 cykli Martindale

**Pilling resistance** scale 1-5, max. 5, EN ISO 12945-2 (4)

**Colour fastness to light** scale 1-8, max. 8, EN ISO 105-B02 (5-7)

**Colour fastness to rubbing** scale 1-5, max. 5, EN ISO 105x12 (wet/dry (4-5/4-5))

**Acoustic test sound absorption** ISO 354

**Flammability** BS EN 1021-1 (cigarette)  
BS 476 Part 7, Class 2  
Class Uno UNI 9174 - UNI 8457  
CA TB 117-2013  
ASTM E 84 Class I

### Fabric Atlantic \* - second price group



**Technical data:**

**Material** polyester 100%

**Fabric weight** 530 g/lm (17.09 oz/lin.yd.)

**Abrasion resistance rubs** BS EN ISO 12947-2, 110,000 Martindale cycles

**Pilling resistance** scale 1-5, max. 5, EN ISO 12945-2 (4-5)

**Colour fastness to light** scale 1-8, max. 8, EN ISO 105-B02 (5-7)

**Colour fastness to rubbing** scale 1-5, max. 5, EN ISO 105x12 (wet/dry)

**Flammability** CA TB 117-2013  
ASTM E 84 Class I  
BS EN 1021-2 (match)  
BS EN 1021-1 (cigarette)

### Fabric Vita - second price group



**Technical data:**

**Material** Surface: 98,5% PVC, 1,5% PU  
Substrate: 50% polyester, 50% Cotton

**Fabric weight** 850g/m2 ± 10% (1190G/lin. m ± 10%)

**Abrasion resistance rubs** BS EN ISO 5470-2, 100,000 Martindale cycles

**Colour fastness to light** 6 (ISO 105 - B02)

**Colour fastness to rubbing** wet: 4, dry: 4 (ISO 105 - X12)

**Flammability** BS EN 1021 - (cigarette)  
BS EN 1021 - 2 (match)  
BS 5852 - (Ignition Source 5)  
BS 7176 - (Medium Hazard)

**Flexes** BS EN ISO 7854 - Method B, 400.000 Flexing cycles

**Anti-microbial / Anti-fungal** AATCC 147

### Fabric Mica - second price group



**Technical data:**

**Material** post-consumer recycled polyester 97%, polyester 3%

**Fabric weight** 305 g/lm

**Abrasion resistance rubs** 60,000 rubs martindale (EN ISO 12947-2)

**Pilling resistance** scale 1-5, max. 5 - EN ISO 12945-2, 4-5

**Light fastness** scale 1-8, max. 8 - EN ISO 105-B02, 5-8

**Rubbing fastness** dry: 4-5, wet: 4-5, scale 1-5, max. 5 - EN ISO 105x12

**Flammability** CA TB 117-2013  
ASTM E 84 Class I  
BS EN 1021-1 Cigarette  
BS EN 1021-2 Match  
BS 476 Part 7 class I

\* There is a possibility of ordering the product in full colour spectrum of Atlantic range, as per Gabriel's pattern book, within 8 weeks

Viva - freestanding screens	Date of preparation 23.11.2022	The data contained in this document is valid in the day of its preparation. Change of the product, as long as it does not affect the basic features of it, does not require consistent updates of the document.	page 7/11
			colours

## Fabric Go Check - second price group



### Technical data:

<b>Material</b>	100% Trevira CS
<b>Fabric weight</b>	435g/lm
<b>Abrasion resistance rubs</b>	80,000 rubs martindale (EN ISO 12947-2)
<b>Pilling resistance</b>	scale 1-5, max. 5 - EN ISO 12945-2, 5
<b>Light fastness</b>	scale 1-8, max. 8 - EN ISO 105-B02, 5-8
<b>Rubbing fastness</b>	dry: 4-5, wet: 4-5, scale 1-5, max. 5 - EN ISO 105x12
<b>Flammability</b>	BS EN 1021 1&2 Cigarette and Match BS EN 1021-1 Cigarette BS 5852 Crib 5 BS 7176 Medium hazard DIN 4102 - B1 NFP 92-503/504/505 M1 ÖNORM A3800-B1-B3825-Q1 UK Class Uno UNI 9175 Class 1 I EMME FAR/JAR 25.853 (a) (i) (ii) CA TB 117-2013 DIN EN 13501-1 B-s1,d0 AM 18 - NF D 60-013-(only for fabric)

## Fabric Charles \* - second price group



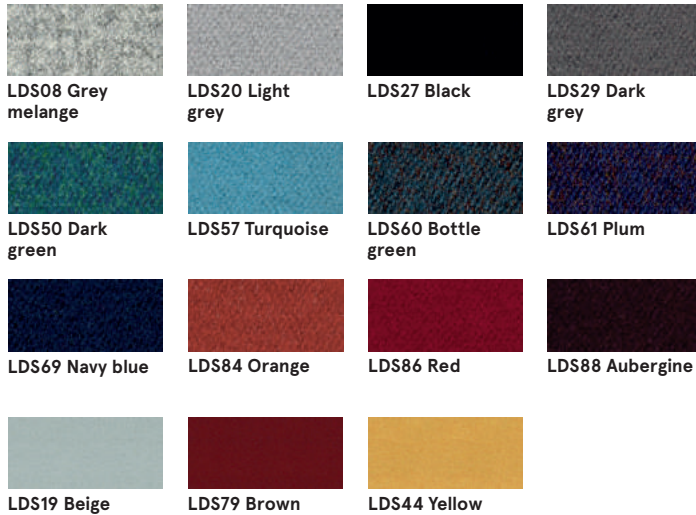
### Technical data:

<b>Material</b>	100% polyester
<b>Fabric weight</b>	433g/m2
<b>Abrasion resistance rubs</b>	90,000 Martindale cycles (EN ISO 12947-2)
<b>Pilling resistance</b>	EN ISO 12945-2, 5
<b>Light fastness</b>	EN ISO 105-B02, 5
<b>Rubbing fastness</b>	dry: 4-5, wet: 4-5, EN ISO 105x12
<b>Flammability</b>	EN 1021, 1

\* There is a possibility of ordering the product in full colour spectrum of Charles range, as per Dekoma pattern book, within the standard delivery time.



**Fabric Synergy - third price group**



**Technical data:**

<b>Composition</b>	95% Virgin Wool, 5% Polyamide	
<b>Fabric weight</b>	400g/m2 (560g/lm)	
<b>Abrasion resistance rubs</b>	100.000 Martindale cycles	
<b>Colour fastness to light</b>	ISO 105 - B02	5
<b>Colour fastness to rubbing</b>	EN ISO 105x12 (dry/wet)	4-4
<b>Flammability</b>	EN 1021 - 1&2 (cigarette & match) BS 7176 Low Hazard NF D 60-013 ÖNORM B 3825 & A 3800-1 (58 kg/m3 CMHR Foam) UNI 9175 Classe 1 IM EN 13501-1 Adhered Class D, s1, d0 IMO FTP Code (Part 8) The Furniture and Furnishing (Fire) (Safety) Regulations 1988 (Domestic Cigarette and Match) BS 5852 Ignition Source 5 when FR treated BS 7176 Medium Hazard when FR treated EN 13501-1 Adhered Class B, s1, d0 when FR treated EN 13501-1 Un-adhered Class D, s2, d0 when FR treated BS 5867-2: Type B Curtains & Drapes when FR treated	

**Fabric Silvertex - third price group**

**Technical data:**

<b>Material</b>	Topcoat: 100% Vinyl Backing: 100% Polyester Hi-Loft™
<b>Fabric weight</b>	685 gr/m2
<b>Abrasion resistance</b>	>300,000 cycles Martindale
<b>UV-resistance</b>	>= 7 (1000 hours, blue wool scale)
<b>Cold Crack resistance</b>	-23°C
<b>Flame retardancy</b>	NF P 92-503 / M2 EN 1021, Part 1&2 DIN 4102 B2 ÖNORM B 3825, Gruppe I - Schwerbrennbares Verhalten ÖNORM A 3800, Teil I, Qualmbildungsklasse QI - schwachqualmend IMO Res. MSC.307 (88) (2010 FTP Code) Annex I Part 8 (MED) Marine Equipment Directive in its current valid version UNI 9175 (1987) / UNI 9175/FAI (1994) Classe I.IM (uno I EMME) UNE 23.727-90 IR /M2 EN 71-2: 2006+A1: 2007 Safety of Toys - Part 2: Flammability ECE R 118 (replaces Directive 95/28/EC) FMVSS 302 FAR 25/853
<b>Antimicrobial</b>	Antifungal Protection, Antibacterial Protection, Antimycotic Protection

There is a possibility of ordering the product in full colour spectrum of Silvertex range, as per Spradling's pattern book, within 15 working days.

### Fabric Tessa - third price group



**Technical data:**

**Material** 95% polyester, 5% acrylic  
**Fabric weight** 500g/m2  
**Abrasion resistance rubs** 75,000 Martindale cycles (EN ISO 12497-2)  
**Pilling resistance** EN ISO 12945-2, 4-5  
**Light fastness** EN ISO 105-B02, 4  
**Rubbing fastness** dry: 4-5, wet: 4-5, EN ISO 105x12

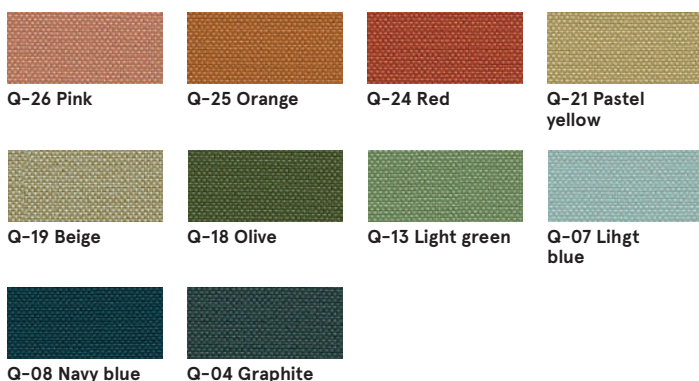
### Fabric Oceanic - third price group



**Technical data:**

**Material** 100% post-consumer recycled polyester  
**Fabric weight** 497g/m2  
**Abrasion resistance rubs** 100,000 Martindale cycles (EN ISO 12947-2)  
**Pilling resistance** EN ISO 12945-2, 5  
**Light fastness** EN ISO 105-B02, 5  
**Rubbing fastness** dry: 4, wet: 4, EN ISO 105x12  
**Flammability** EN 1021, - 1&2 (Cigarette and Match)  
 BS 7176 Low Hazard  
 BS 5852 Ignition Source  
 BS 7176 Medium Hazard

### Fabric Quest - third price group



**Technical data:**

**Material** 100% post-consumer recycled polyester  
**Fabric weight** 330g/m2  
**Abrasion resistance rubs** 100,000 Martindale cycles (EN ISO 12947-2)  
**Light fastness** EN ISO 105-B02, 4-6  
**Rubbing fastness** dry: 4, wet: 4, EN ISO 105x12  
**Flammability** EN 1021, - 1&2 (Cigarette and Match)  
 BS 7176 Low Hazard  
 UNI 9175 Classe 1 IM  
 BS 476 Part 7 Class 1Y (Adhered)  
 EN 13501-1 Adhered Class B, s1, d0  
 EN 13501-1 Un-adhered Class B, s1, d0  
 BS 5852 Ignition Source 5 with EnviroFlam5  
 BS 7176 Medium Hazard with EnviroFlam5  
 IMO FTP Code (Part 8) with EnviroFlam5

### Fabric Grain - third price group



**Technical data:**

**Material** 92% post-consumer recycled polyester  
 8% polyester  
**Fabric weight** 615g/m2  
**Abrasion resistance rubs** 100,000 Martindale cycles (EN ISO 12947-2)  
**Pilling resistance** EN ISO 12945-2, 5  
**Light fastness** EN ISO 105-B02, 5-7  
**Rubbing fastness** dry: 4-5, wet: 4-5, EN ISO 105x12  
**Flammability** BS EN 1021 1&2 Cigarette and Match  
 BS EN 1021-1 Cigarette  
 CA TB 117-2013

**Fabric Atlas – fourth price group**



**Technical data:**

**Material** 90% new wool, 10% nylon

**Fabric weight** 286g/m2, 400g/lm

**Abrasion resistance rubs** 100,000 cykli Martindale, EN ISO 12947

**Colour fastness to light** ISO 105 B02: 6-7

**Colour fastness to rubbing** ISO 105-X12:2001, (wet/dry) 4-5/4-5

**Flammability** BS EN 1021-2 Match, BS EN 1021-1 Cigarette, BS 5 5852 Crib 5, BS 5852 ignition source 3, BS 5852 Part 1, NF D 60 013, UNI 9175 11M, US Cal. Bull. 117-2013

**Frame**

