

infiniti



**S Y S**  
U S E R M A N U A L

## **SYS by mC.dsg**

**Sys is named after a file used in operating systems. It is a sofa full of configurations which, starting from a modular structural alphabet adaptable to the needs of the designer, it gives the possibility to create seats that fit well in contexts such as waiting rooms, work spaces, museums, restaurants, schools, shops and meeting and sharing areas.**

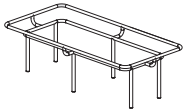
**Thanks to an extremely fast and intuitive connection system (by modules), it is possible to disassemble, move and reconfigure your sofa according to the needs of the moment. Sys is made up of a painted steel frame, which creates the housing for the modules to be inserted, giving the sofa a strong and recognizable connotation.**

**In addition to the seats in fire-retardant foam (ergonomic and resistant) there are accessories such tables and armrests in natural wood or upholstered. They can always be implemented, to satisfy the most diverse design and operational needs.**

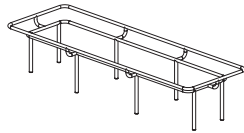
<b>4</b>	<b>OVERVIEW</b>
<b>6</b>	<b>EXAMPLES OF COMPOSITION</b>
<b>10</b>	<b>TABLE MODULES</b>
<b>12</b>	<b>LAYOUT EXAMPLES</b>
<b>15</b>	<b>ACCESSORIES</b>
<b>16</b>	<b>ELECTRIFICATION</b>
<b>18</b>	<b>AVAILABLE FINISHES</b>

## OVERVIEW

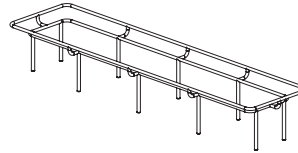
### STRUCTURES



Two-seater structure module  
**COD. CT5095SO2**  
L1330 P450 H394

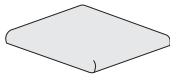


Three-seater structure module  
**COD. CT5095SO3**  
L1972 P450 H394

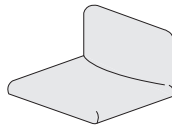


Four-seater structure module  
**COD. CT5095SO4**  
L2614 P450 H394

### MODULES



Cushion Module  
**COD. CS10-5095**  
L648 P607 H184



Cushion Module with backrest  
**COD. CS02-5095**  
L648 P607 H481

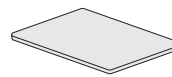
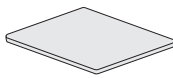
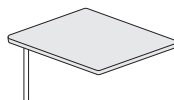


Table module  
**COD. CS11-5095**  
L625 P500 H42

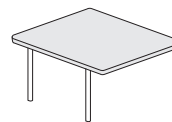
### TABLES



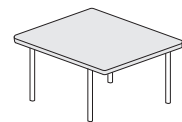
Junction table  
**COD. 5095-TS1W**  
L630 P630 H42



Corner table  
**COD. 5095-TS2W**  
L630 P630 H414



Side table  
**COD. 5095-TS3W**  
L630 P630 H414



Free standing table  
**COD. 5095-TS4W**  
L630 P630 H414

### ACCESSORIES



Armrest  
**COD. CA5095SO1**  
L370 P186 H330



Upholstered Armrest  
**COD. CA5095SO2**  
L370 P186 H330



Side table  
**COD. CA5095SO3**  
L680 P680 H325

### ELECTRIFICATION



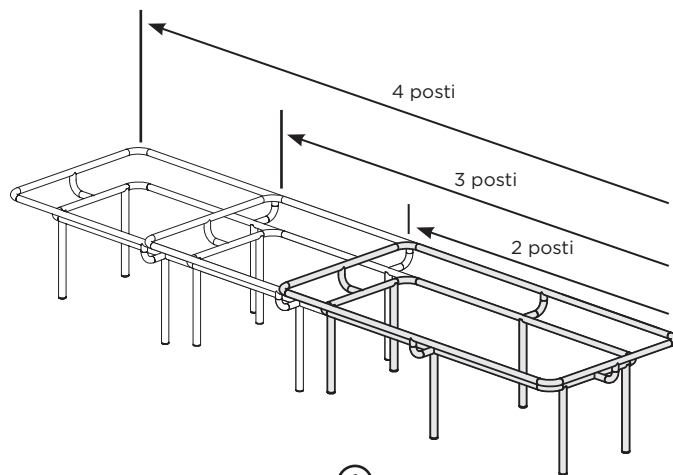
Schuko



Wireless

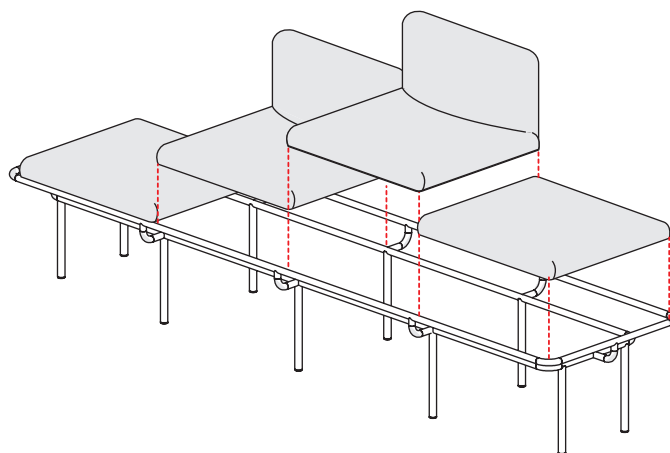


USB



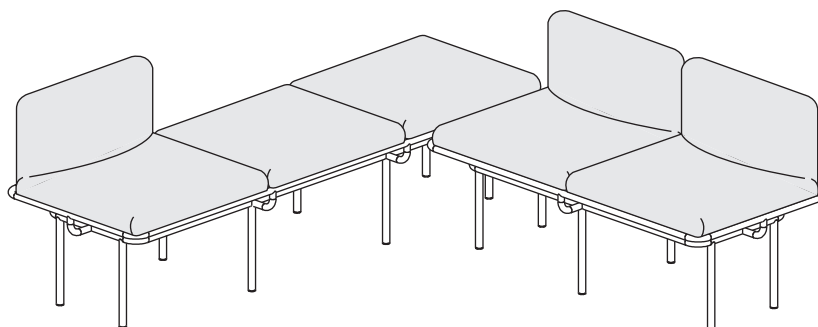
①

Choosing the structure



②

Composing the sofa



③

Linking compositions

## EXAMPLE OF COMPOSITIONS



- 1 x **CT5095SO2** two-seater structure
- 1 x **CS10-5095** cushion
- 1 x **SO2-5095** cushion with backrest



- 1 x **CT5095SO2** two-seater structure
- 2 x **CS10-5095** cushion



- 1 x **CT5095SO2** two-seater structure
- 2 x **SO2-5095** cushion with backrest



- 1 x **CT5095SO2** two-seater structure
- 1 x **SO2-5095** cushion with backrest
- 1 x **CS11-5095** table module

**EXAMPLE OF COMPOSITIONS**



- 1 x **CT5095SO3** three-seater structure
- 3 x **CS10-5095** cushion



- 1 x **CT5095SO3** three-seater structure
- 1 x **CS10-5095** cushion
- 2 x **CS02-5095** cushion with backrest



- 1 x **CT5095SO3** three-seater structure
- 1 x **CS10-5095** cushion
- 1 x **CS02-5095** cushion with backrest
- 1 x **CS11-5095** modulo tavolino



- 1 x **CT5095SO3** three-seater structure
- 3 x **CS02-5095** cushion with backrest
- 2 x **CA5095SO1** armrest

## EXAMPLE OF COMPOSITIONS



- 1 x **CT5095SO4** four-seater structure
- 1 x **CS10-5095** cushion
- 2 x **CS02-5095** cushion with backrest
- 1 x **CS11-5095** table module
- 1 x **CA5095SO2** upholstered armrest



- 1 x **CT5095SO4** four-seater structure
- 3 x **CS02-5095** cushion with backrest
- 1 x **CS11-5095** table module
- 2 x **CA5095SO2** upholstered armrest



- 1 x **CT5095SO4** four-seater structure
- 4 x **CS02-5095** cushion with backrest
- 2 x **CA5095SO2** upholstered armrest

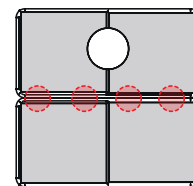
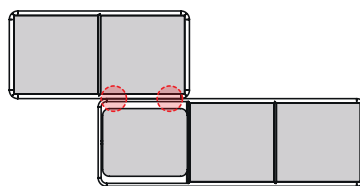
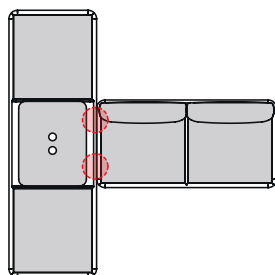
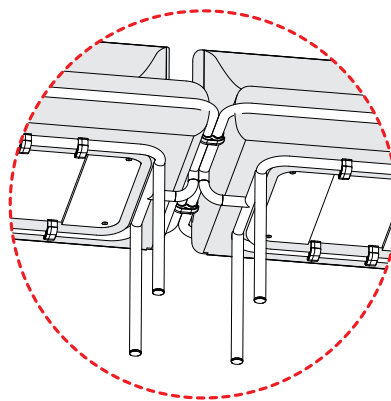
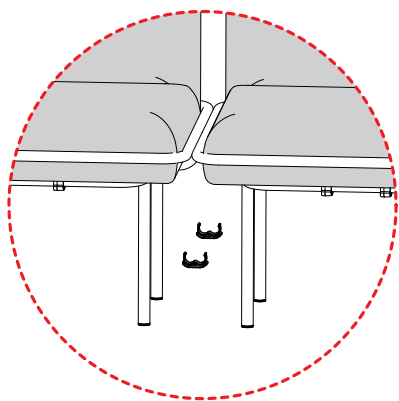
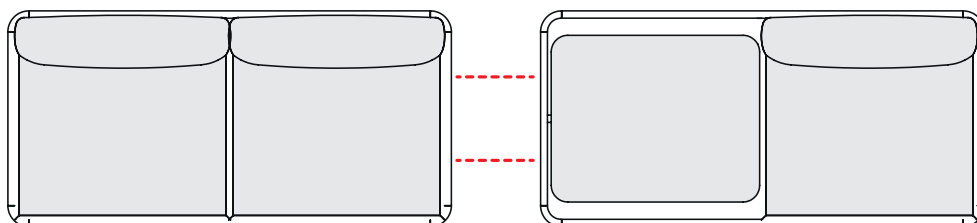


- 1 x **CT5095SO4** four-seater structure
- 1 x **CS10-5095** cushion
- 2 x **CS02-5095** cushion with backrest
- 1 x **CS11-5095** table module



## FRAMES ATTACHMENT

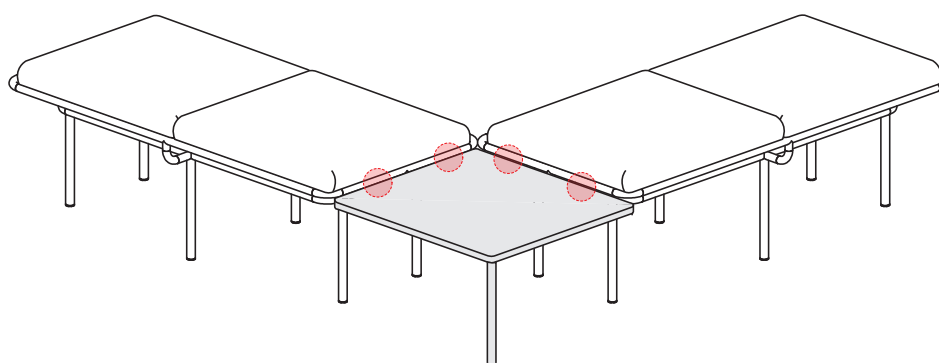
*Place side by side the two frames and hook the plastic clips to the inferior metal tubes joining them as in the picture.*



## TABLE MODULES

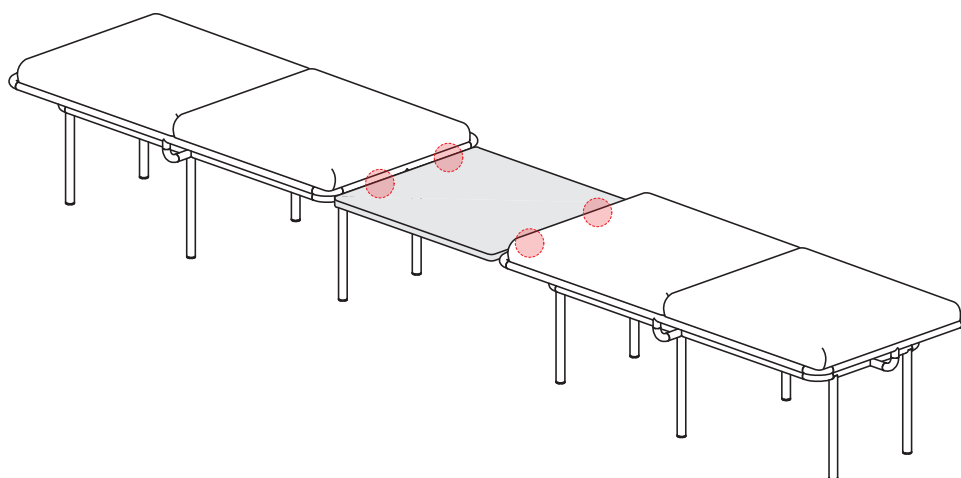
1

Corner table



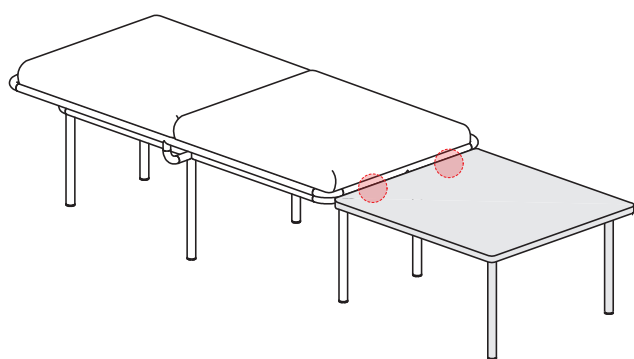
2

Junction table



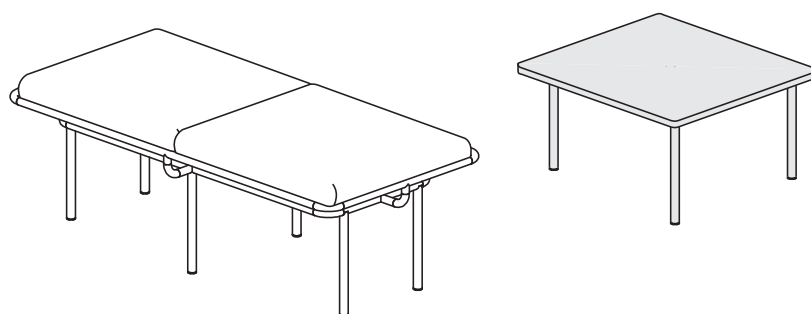
3

Side table

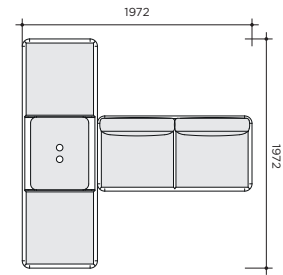
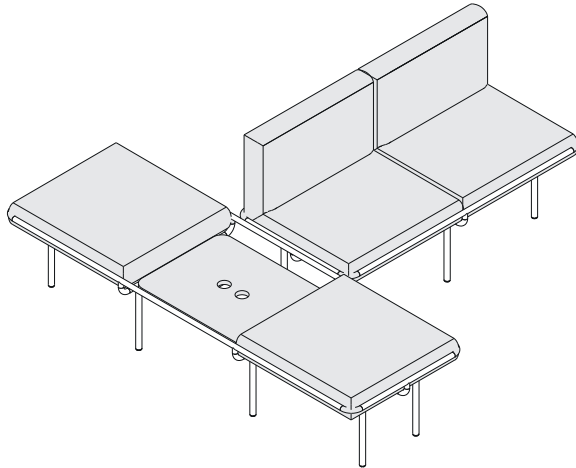


4

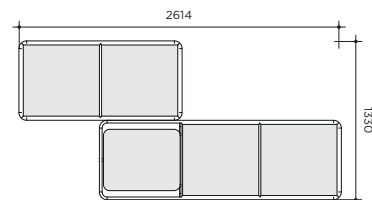
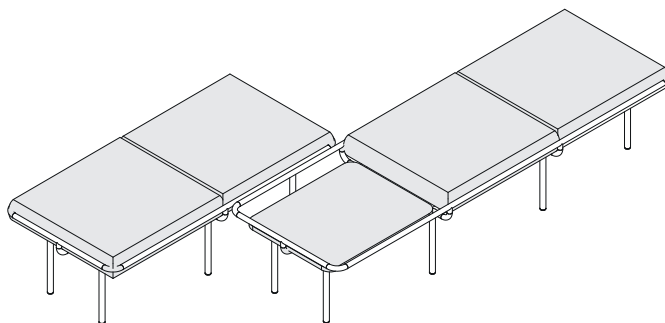
Free standing table



## LAYOUT EXAMPLES

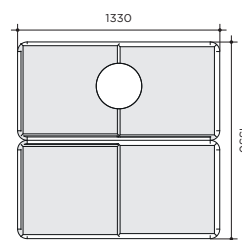
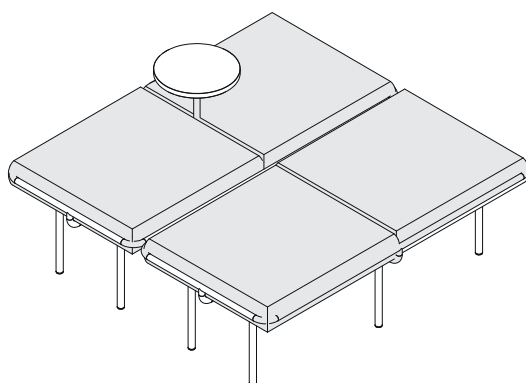


- 1 X COD. CT5095SO2**  
Two-seater structure module
- 1 X COD. CT5095SO3**  
Three-seater structure module
- 2 X COD. CS02-5095**  
Cushion module with backrest
- 2 X COD. CS10-5095**  
Cushion module
- 1 X COD. CS11-5095**  
Table Module
- 1 X SCHUKO**
- 1 X USB**

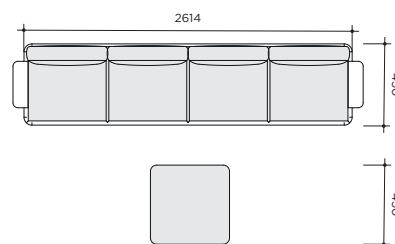
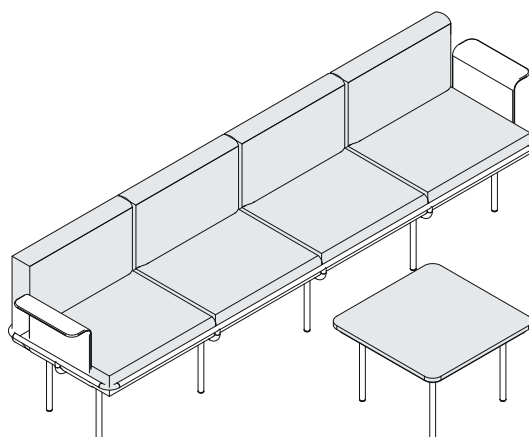


- 1 X COD. CT5095SO2**  
Two-seater structure module
- 1 X COD. CT5095SO3**  
Three-seater structure module
- 4 X COD. CS10-5095**  
Cushion module
- 1 X COD. CS11-5095**  
Table Module

**LAYOUT EXAMPLES**

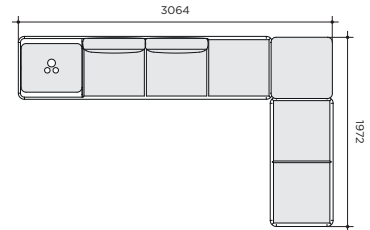
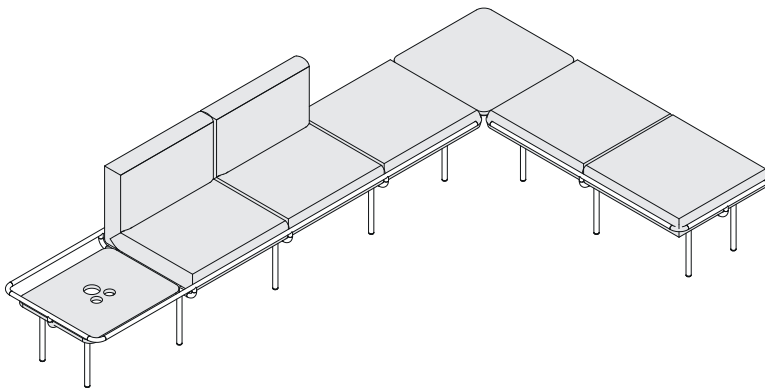


- 2 X COD. CT5095SO2**  
Two-seater structure module
- 4 X COD. CS10-5095**  
Cushion module
- 1 X COD. CA5095SO3**  
High coffee table

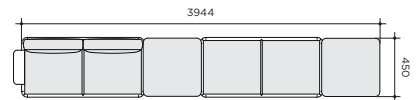
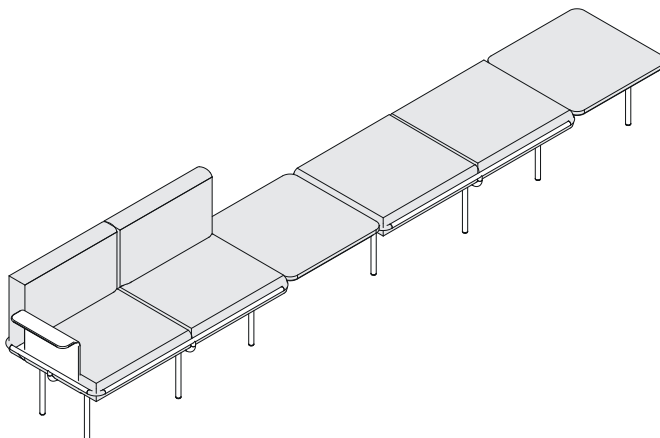


- 1 X COD. CT5095SO4**  
Four-seater structure module
- 4 X COD. CS02-5095**  
Cushion module with backrest
- 2 X COD. CA5095SO1**  
Armrest
- 1 X COD. 5095-TS4W**  
Free standing table

## LAYOUT EXAMPLES

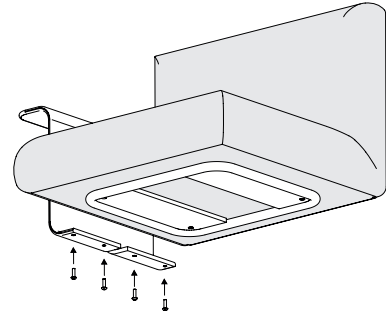


- 1 X COD. CT5095SO4**  
Four-seater structure module
- 2 X COD. CT5095SO2**  
Two-seater structure module
- 3 X COD. CS10-5095**  
Cushion module
- 2 X COD. CS02-5095**  
Cushion module with backrest
- 1 X COD. CS11-5095**  
Table Module
- 1 X COD. 5095-TS2W**  
Corner table
- 1 X SCHUKO**
- 1 X USB**
- 1 X WIRELESS**

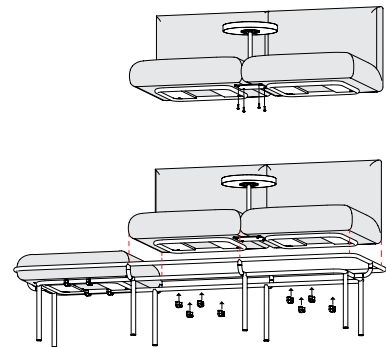


- 2 X COD. CT5095SO2**  
Two-seater structure module
- 2 X COD. CS10-5095**  
Cushion module
- 2 X COD. CS02-5095**  
Cushion module with backrest
- 1 X COD. CA5095SO2**  
Upholstered armrest
- 1 X COD. 5095-TS1W**  
Junction table
- 1 X COD. 5095-TS3W**  
Side Table

**ACCESSORIES**

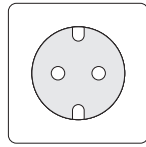


Armrest      Upholstered Armrest  
**COD. CA5095SO1    COD. CA5095SO2**



Side table  
**COD. CA5095SO3**

## ELECTRIFICATION



**KIT SCHUKO**

No.1 MODULE WITH 1 schuko SOCKET

0.2 m of cable with GST18 connector

16A 250V



**KIT WIRELESS**

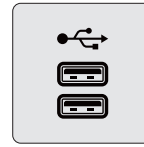
Qi standard: WPC1.2

INPUT DC 5V/9V

OUTPUT DC 5V/9V

Charging distance: 0-8 mm

1.5 mt cable with USB 2.0 A/ Micro 2.0 B included



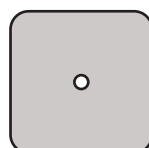
**KIT USB**

NR.2 USB CHARGER

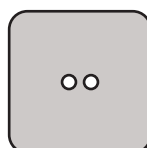
0.2 m cable with GST18 connector

INPUT 100-250 VAC, 50/60 HZ

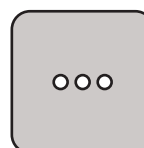
OUTPUT 5VDC/2,4 A



**POSITION A**



**POSITION B**





**POSITION C**





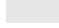

## AVAILABLE FINISHES

### ARMREST

-  FRVAN natural oak
-  9004F black fine textured

### FRAME

#### steel

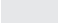

-  20 white embossed
-  9004F black fine textured

### COVERED

- A: Flash
- C: Patina
- E: Field, Oceanic  , Yoredale
- F: Glow
- G: Fiord
- I: COM Fabric

### TABLE TOP

#### laminato

- LM01 white 
- LM02 black 



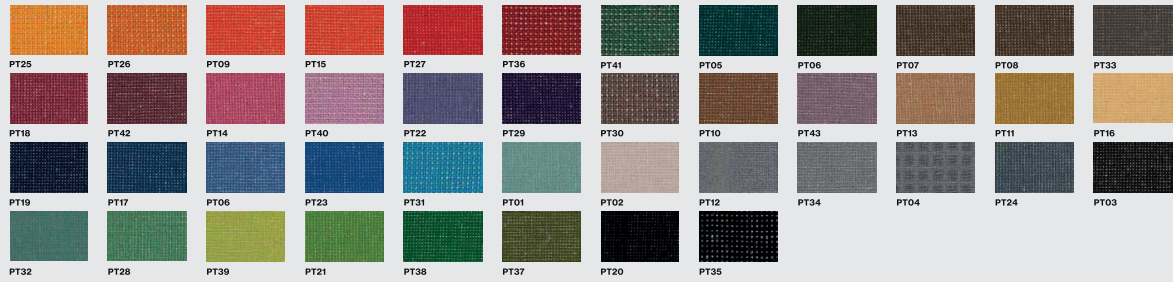
**A Flash No-Shrink**

**AURIM**  
TEXTILE ATTITUDE



**C Patina**

**camira**



**E Field**

**kvadrat**



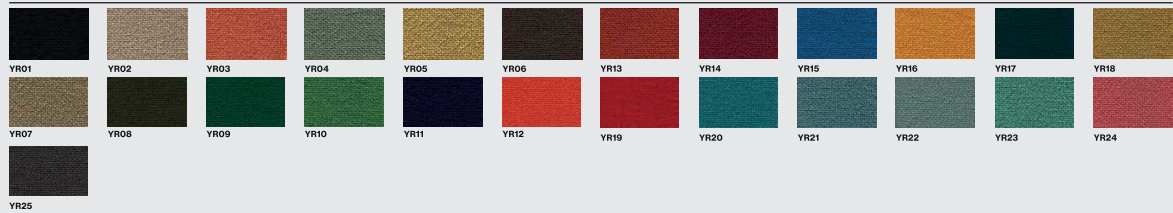
**E Oceanic**

**camira**



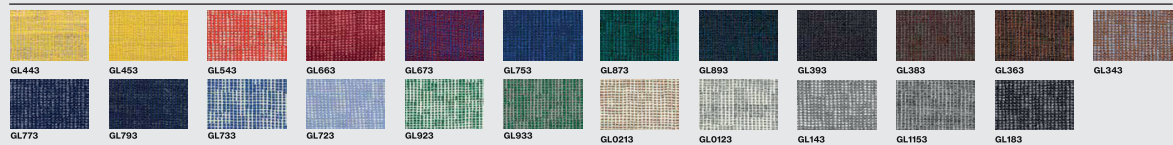
**E Yoredale**

**camira**



**F Glow**

**kvadrat**



**G Fiord**

**kvadrat**



infiniti

Via Ca' Leoncino 2  
31030 Castello di Godego  
Treviso (Italy)