

SPECIFICATION

Range: **BOTANICA**
Design: **Mario Trimarchi**

“Snowsound Technology” sound-absorbing element suspended from the ceiling with cables.

Panel description:

Both faces with convex section 36 mm thick, consisting of an internal padding in variable density polyester fiber. The density decreases moving towards the heart of the panel, which is covered on both sides with Trevira CS® polyester fabric, solidly applied to the padding. The panel is double sided, with same characteristics on both sides. It is characterized by the rigid edge obtained by the manufacturing process itself, without any supporting and/or stiffening frame. The panel is equipped with a series of punched holes for anchoring to the appropriate supports.

The panel has an **Italian Class1** fire reaction and **Euroclass B-s2, d0**.

The panel is **Greenguard Gold** certified, which validates its low VOC emission and its contribution to the quality of the indoor environment.

The panel is **100% recyclable** and has no detectable formaldehyde content according to UNI EN 717-2. It does not contain felts or other organic materials that are hardly recyclable.

The panel has been tested in reverberation chamber according to UNI EN ISO 354 and obtained “**Acoustic Absorption Class A**”, in accordance with UNI EN ISO 11654.

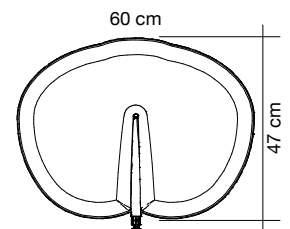
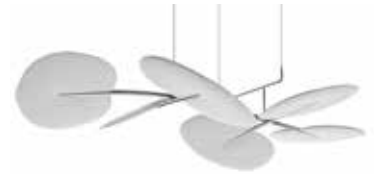
Support description:

The support is composed of two parts in polished and chromed zama casting. The two elements are positioned on the two sides of the panel respectively. They align with each other thanks to special hooks and ribs, passing through the holes of the panel itself. The two sides are tightened with a screw, locking the panel inside them.

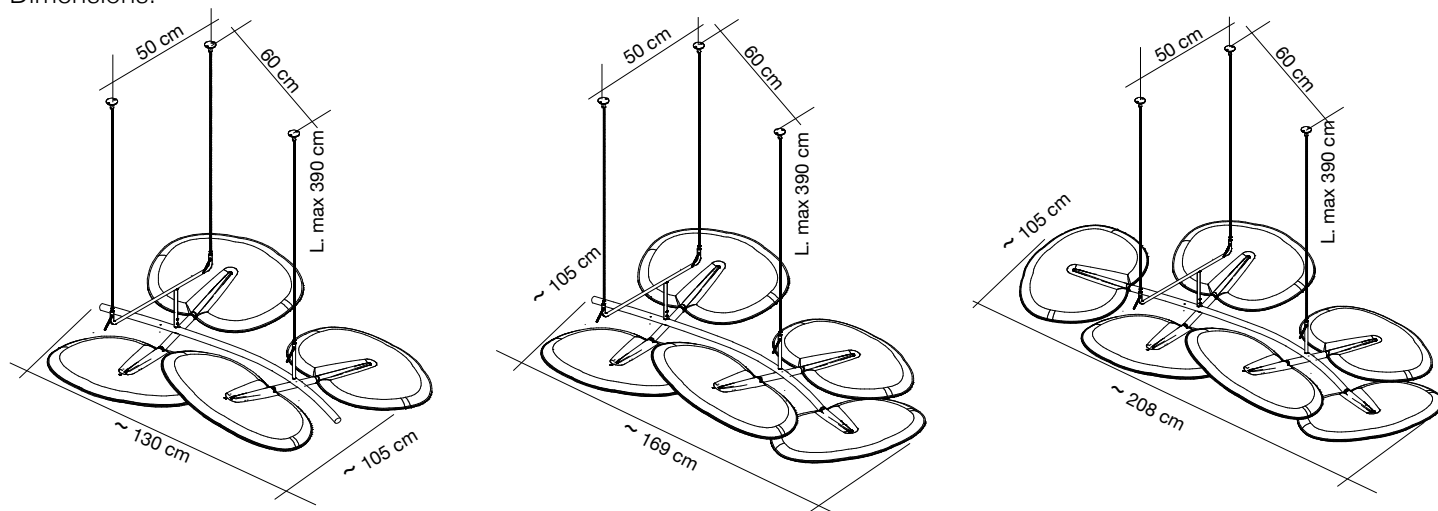
Fixing description:

Structure in chromed steel tube \varnothing 25 mm composed of a central 3D “vertebra” with helical, curved shape. Two perpendicular tubes are welded to the “vertebra”. Two pins are welded to the rear of the central tube connecting two supports: one single and one “handlebar”, both made of chromed steel. These elements support the following: three cylindrical threaded elements \varnothing 10 mm that allow the precise height adjustment of the cables by means of a pressure system with safety lock; three steel cables \varnothing 1.5 mm and three circular plates in chromed steel \varnothing 40 mm with two holes for fixing screws to the ceiling. The sound-absorbing elements (panels + supports) are inserted at the end of the tubes and are fixed using grains. Each single structure can carry a maximum of 6 panels or be connected in continuous thanks to a steel joint fixed with grains.

The products described in this data sheet are **CE marked** according to the harmonized product standard EN 13964 for the intended use as a drop ceiling.



Dimensions:



Available colours:

0012



White

7004



Light green

8007



Dark grey



Caimi Brevetti S.p.A. reserves, by its unappealable judgment, the right to modify without prior notice the building materials, the technical and aesthetic specifications, as well as the dimensions of the products in this technical sheet, where pictures are purely as an indication.