

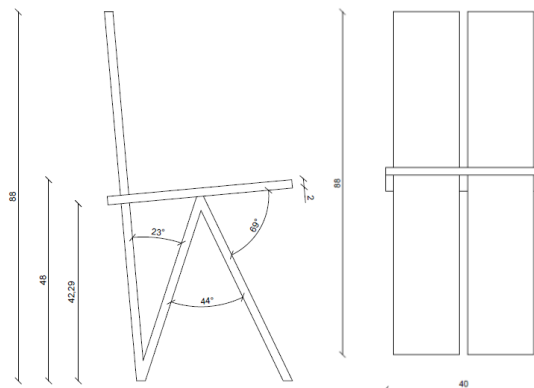
IMAGE



SPECIFICATION

Gross Weight for 1 chair: 13,40 Kg / 29.54 lb
Gross Weight for 2 chairs: 24,40 Kg / 53.79 lb
Volume: 0,33 Cbm / 11.65 ft³
Box Dimensions: w 595 x d 570 x h 970 mm / w 23.43" x d 22.44" x h 38.19"
2 per box
HARMONIZED SYSTEM CODE 94016900

ROUGH-IN DRAWING



STANDARD FEATURES

Eco-friendly chair, fully made with beech plywood 18 mm thickness, adhesive vinyl ureic Class E1.

Anti-slip glides assembled

Ariva chair is fully made in wood, it has no plastic or metal components.

The wood is lacquered natural effect, Ø gloss

Available FSC® certified

COUNTRY OF PRODUCTION:

Italy

ENVIRONMENT:

Indoor

WARRANTY:

5 years

OTHERS

-Stitching's Are Made With Continuous Filament Polyester Thread With A Water Repellent Finish Made By Coats® Type Weaverbird™ This Type Of Lubricated Polyester (Tkt 010) Thread Make The Stitching Stronger, Resistant To The Abrasion, And Gives The Product More Tailoring Appearance. Allowing To Read The Forms And Design Of The Product

-All screws and assembly systems used in the production of Sitia's product are UNI EN ISO 9001-2000 and UNI ISO/TS 16949 process certified

Sitia srl Copyright 2020 - all rights reserved. The described data could be modified without prior communication